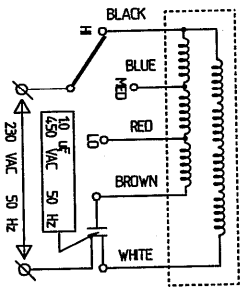
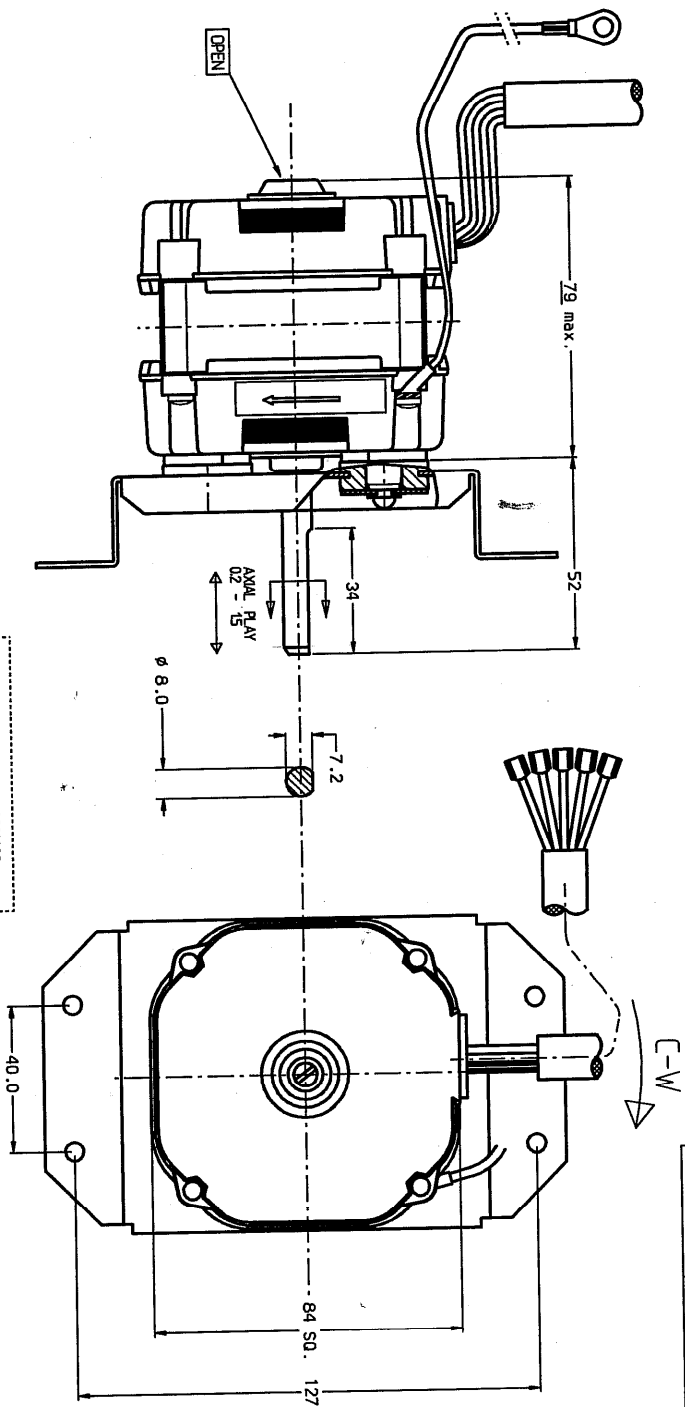


DESCRIPTION	COLOR	LENGTH	WIRES END
AWG 20	YELLOW/GREEN BLACK/RED/BLUE WHITE BROWN	4.20±.20 350±30	RING TERMINAL Ø5 FASTON 250 FEMALE + PLASTIC COVER
SLEEVE Ø10	BLACK	200±20	



TYPE 472270-2 ELTAN-10  
 W.D.5 10A/450V CAT NO. 371452  
 230/50/PH.018A C.L.B THPR  
 RPM1350/1300/1150  
 DATE

DWMAR  
 ←  
 →

IF NOT OTHERWISE SPECIFIED, ALL DIMENSIONS IN mm.

<b>DRWG2054-A</b>		<b>Motor assembly - ELTAN-10</b>	
Drawn	EL	1007103	Cat.No: 7112702
Approved			Motor type 4722702
Scale	1:1		Customer ELECTRA
Gen. tolerance	±10		Cat.No: 4371452
File:	E-ELTAN-10VASSY	Vf: 2702	Lev. PRINT DATE: 11/7/03